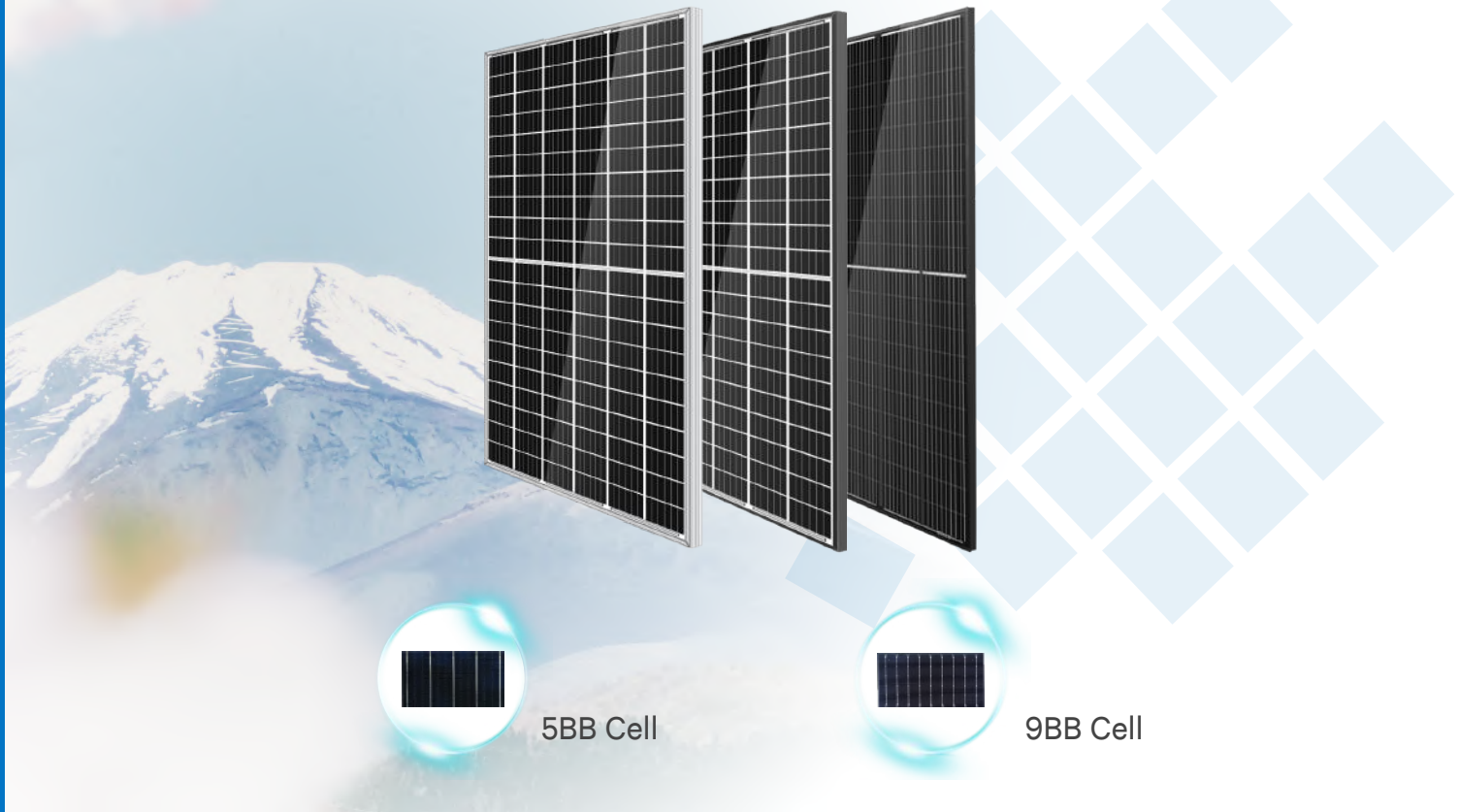


LP158*158-M-60-H/MH

Rated Power 320-350W



5BB/9BB Cell
More uniform current collection capability, reducing the current heat loss of the internal cells.



Low Light Features
Higher performance under low light environment.



Higher Output Power
The output power of 120 half-cells Monocrystalline modules is up to 350W.



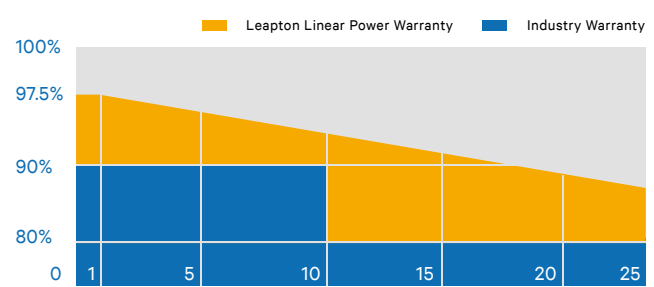
PID Protection
Ensure the attenuation probability caused by PID phenomenon is minimized.



Harsh Environmental Adaptability
Strict salt spray and ammonia corrosion test by TUV Nord.



Load Capacity
Mechanical load tests including wind load 2400 Pa and snow load 5400 Pa done by TUV Nord.



• J-PEC Product



• IEC61215
• IEC61730

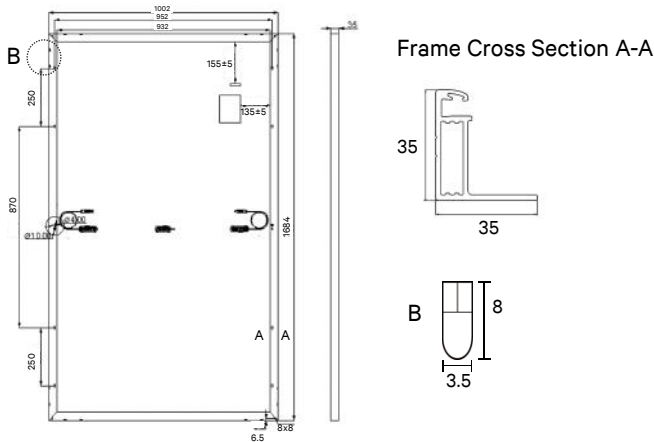


• Salt Spray Certificate
• IEC61701
(Salt Mist Corrosion Test)



• TUV PID Certificate

MECHANICAL DIAGRAMS



SPECIFICATIONS

Weight	19kg
Dimensions	1684mm*1002mm*35mm
Cell Amount	60*2 pcs
Maximum System Voltage	1000/1500V
Junction Box	IP68
Frame	Aluminum Alloy
Cable	4mm ² , Landscape: N 1100mm/P 1100mm Portrait: N 150mm/P 300mm
Connector	MC4 compatible
Application Level	Class A

ELECTRICAL PARAMETERS AT STC

	320W	325W	330W	335W	340W	345W	350W
Power	320W	325W	330W	335W	340W	345W	350W
Open Circuit Voltage	40.90V	41.10V	41.30V	40.80V	41.10V	41.3V	41.50V
Short Circuit Current	10.15A	10.20A	10.24A	10.50A	10.60A	10.65A	10.70A
Maximum Power Voltage	33.40V	33.60V	33.80V	34.00V	34.20V	34.40V	34.60V
Maximum Power Current	9.58A	9.68A	9.76A	9.85A	9.94A	10.03A	10.12A
Module Efficiency	19.0%	19.3%	19.6%	19.9%	20.1%	20.4%	20.7%

* Under Standard Test Conditions (STC) of irradiance of 1000 W/m², spectrum AM 1.5 and cell temperature of 25°C.

ELECTRICAL PARAMETERS AT NMOT

	238W	242W	246W	253W	257W	261W	265W
Power	238W	242W	246W	253W	257W	261W	265W
Open Circuit Voltage	37.80V	38.00V	38.20V	38.40V	38.70V	38.90V	39.10V
Short Circuit Current	8.43A	8.54A	8.65A	8.46A	8.55A	8.62A	8.69A
Maximum Power Voltage	31.40V	31.60V	31.80V	31.60V	31.80V	32.00V	32.20V
Maximum Power Current	7.58A	7.66A	7.74A	8.01A	8.08A	8.16A	8.23A
Module Efficiency	14.1%	14.3%	14.6%	15.0%	15.2%	15.5%	15.7%

* Under Nominal Module Operating Temperature (NMOT), irradiance of 800 W/m², spectrum AM 1.5, ambient temperature 20°C, wind speed 1 m/s.

TEMPERATURE CHARACTERISTICS

NMOT	45±3°C	Temp Coefficient of ISC	+0.05%/°C
Temp Coefficient of VOC	-0.28%/°C	Temp Coefficient of Pmax	-0.36%/°C

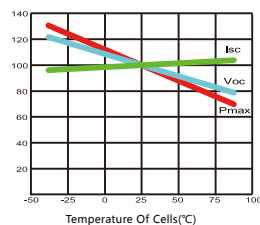
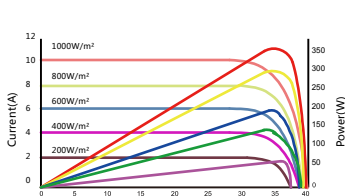
PACKING CONFIGURATION

Modules/Pallet	30 Pieces	Modules/40'Container	858 Pieces/ 780 Pieces
Packing Description	26 Pallets, Total=(30+30+6)x13=858 Or 26 Pallets, Total=30x26=780		

CHARACTERISTICS

LP158*158-M-60-H/MH-320W

LP158*158-M-60-H/MH-320W



MAXIMUM RATING

Output Tolerance	0~+5W
Operating Temperature	-40°C~+85°C
Wind Load/Snow Load	2400pa/5400pa
Fuse Current	15A

15 YEARS Quality Warranty

25 YEARS Power Warranty

10-YEAR 90% Maximum Output. 25-YEAR 80% Maximum Output.